

#### FEATURES

- Flush-mounted in doors and windows.
- Built in copper.
- Available colours:
  - Chromed (ref. 990000109)
  - Golden (ref. 990000110)
- Dimensions     Magnet :            Ø11 x 22 mm  
                          Contact:            Ø11 x 28 mm
- Normally-open contact (when the magnet is not present).
- Conformity with the CE directives (CE-mark on packaging).

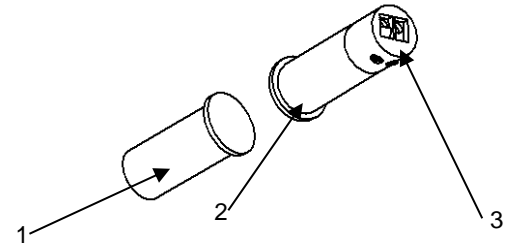
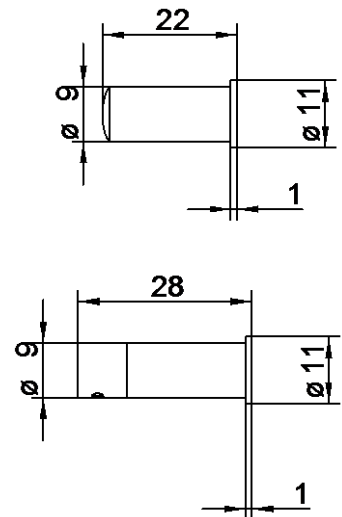


Figure 1. Magnetic contact

1. Magnet	2. Contact	3. Connection terminal block
-----------	------------	------------------------------

GENERAL SPECIFICATIONS	
CONCEPT	DESCRIPTION
Type of device	Electric operation control device
Operation temperature	-15°C to +40°C
Storage temperature	-20°C to +55°C
Operation humidity	5 to 95% RH (no condensation)
Storage humidity	5 to 95% RH (no condensation)
Complementary characteristics	Class B
Protection class	II
Operation type	Continuous operation
Device action type	Type 1
Electrical stress period	Long
Degree of protection	IP20, clean environment
Installation	Flush-mounted in doors and windows.
Weight	17g
Housing material	Copper

#### DIMENSIONS



CONTACT SPECIFICATIONS AND CONNECTIONS	
CONCEPT	DESCRIPTION
Contact options	Normally Open (when the magnet is not present)
Maximum voltage	100V
Maximum current	0.5A
Maximum power	10W
Maximum gap between magnet and contact	50mm
Output type	Potential-free contact
Connection method	Screw terminal block
Cable cross-section	0.5mm <sup>2</sup> to 1mm <sup>2</sup> (26-16 AWG)

#### ASSEMBLY DIAGRAM

1. Drill a Ø9mm hole on the edge of the door and fit the magnet in by means of pressure\*.
  2. Drill another Ø9mm hole on the door frame in front of the previous one.
  3. Recover the wiring through the frame hole and connect it to the device.
  4. Fit the contact in the door frame by means of pressure\*.
  5. Check that the contact works correctly by measuring the continuity while opening/closing the door.
- \*Please, use transparent silicone or similar adhesive before insert the contact and the magnet.

#### SAFETY INSTRUCTIONS

- Installation should only be performed by qualified professionals according to the laws and regulations applicable in each country.
- Keep the device away from water and do not cover it with clothes, paper or any other material while in use. It must not be hit.
- The WEEE logo means that this device contains electronic parts and it must be properly disposed of by following the instructions at <http://zennio.com/weee-regulation>.